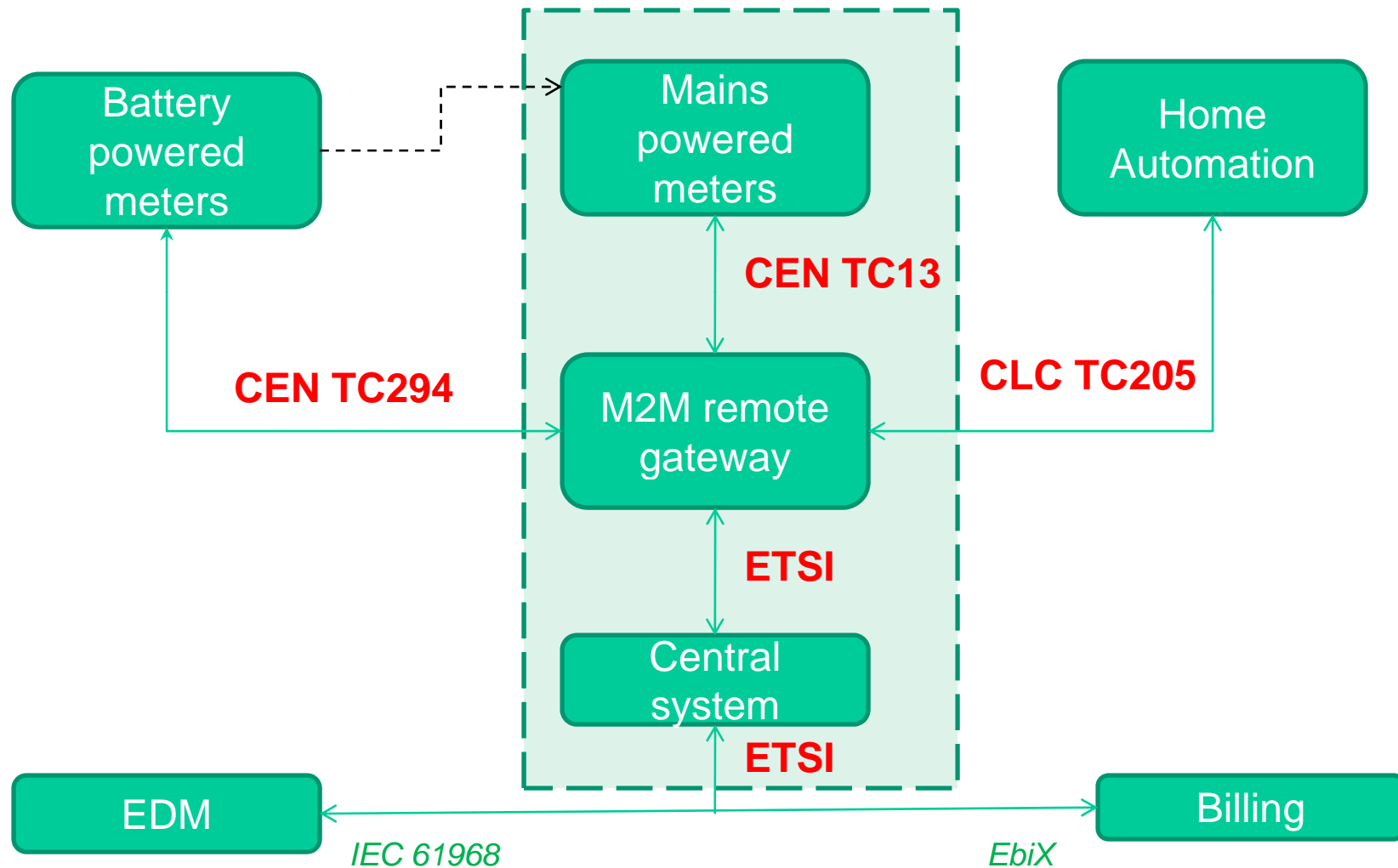


## Smart Metering context

- **Mandate M/441 issued by Commission March 2009**
  - Mandate in context of the Measuring Instruments Directive 2004/22/EC
  - Addressed to European Standardization Organizations (CEN, CLC, ETSI) to elaborate standards to ensure
    - ✓ interoperability of utility meters
    - ✓ Raising awareness for energy conservation with customer
  - Time Frame:
    - ✓ Work plan by September
    - ✓ standards within 9 months
    - ✓ Standards for additional functions within 18 months
- **Meeting with stakeholders organized January 2009**
- **Kick-off meeting of Smart Metering Coordination Group in May 2009**
  - Participants: ESOs, Commission, Energy Regulators, CLC Cooperating partners, CEN liaison partners, relevant technical bodies
  - Decision to set up two sub groups
    - ✓ Communication
    - ✓ Additional Functions
  - First meetings of sub groups 22 of June 2009
  - Objective:
    - ✓ draw up a response to the mandate, i.e. an analysis of the state of the art and possible gaps
    - ✓ Gaps to be remedied by new or updated standards in the relevant technical committees of CEN, CENELEC, ETSI.

## Meeting SG 1 Communication 22 June 2009



## Explanation

- **Battery powered meters**
  - Could provide directly data to the mains powered meter without first having to pass via M2M gateway: therefore dotted line
- **Mains powered meters, M2M remote gateway and Central system**
  - Could all be part of one device
  - Green background area
- **EDM - Billing**
  - No wish to standardize expressed – only recommendations
  - Standardization would stop at definition of interfaces to and from the central system
- **Listed TCs and Standardization Bodies**
  - Request to draw up list of existing standards and functionality that can be covered by the standard
- **Next Meetings**
  - Possibly a web conference beginning of August with listed TCs
  - Next Subgroup 1 in person meeting 24 August 2009 CLC Brussels